

KPF-3125MBGRCC

Industrial Bridge Kitchen Faucet

Faucet Dimensions

Overall Height: 11 3/8" - 12 3/8" *adjustable
 Spout Height: 8 3/8" - 9 3/8" *adjustable
 Spout Reach: 9 3/4"

Features

- Bridge Faucet
- Metal Construction
- Lead Free Brass Waterway
- 360° Swivel Spout
- Flow Rate: 1.8 gpm (6.8L/min) @ 60 psi
- Spout and Sprayer change color at 38°C / 100.4°F
- 3 or 4 Hole Installation
- Stream Function with Optional Side Sprayer
- Quarter Turn Ceramic Disk Cartridge
- 24" Integrated Nylon Waterlines
- Dome Shaped Screen Washer
- Quick Connect Sprayer Hose
- 13 3/4" Hose Length
- Connections 3/8" Compression
- Max Deck Thickness: 2 1/2"
- TPI of aerator in the Sprayer - M22 x 1

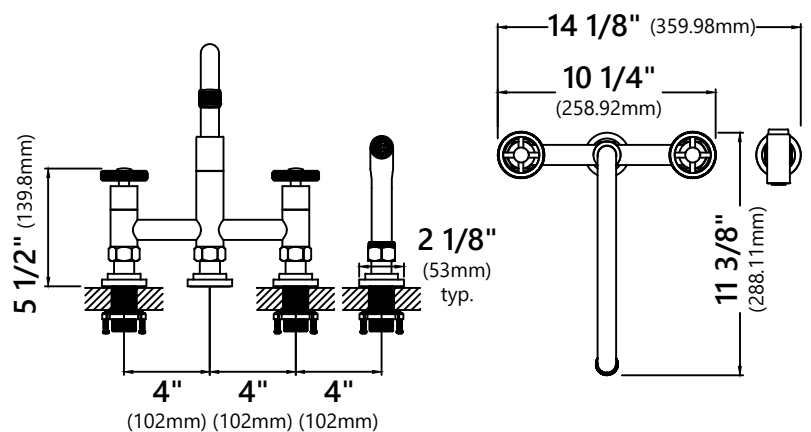
Available Finishes

- Matte Black/Grey Color Changing

CODES/STANDARDS:

Product Certification

cUPC (ASME A112.18.1/CSA B125.1)
 NSF/ANSI Standard 61 and 372 certified by IAPMO
 CAL GREEN, CEC, DOE



NOTE: The spout and the sprayer of the faucet change from matte black to grey at 38°C / 100.4°F as depicted in the image above.

NOTE: Some Kitchen Faucets that do not have a pull out or pull down sprayer may be connected to a portable dishwasher. Pull out and pull down faucets should never be connected to portable dishwashers because potential pressure fluctuations during washing cycles cause hose ruptures or leaks.

Warranty

Kraus Limited Lifetime Warranty
 see website for details www.kraususa.com

